



## Quick Start Guide

V1.0

# ACE

 | Thermal Imaging Scope

ACE L35 / ACE H50 / ACE H50R / ACE S60R



**EN**

**Please read this manual before using the product, and keep the guide for future reference.**

For detailed information about the device, please download the complete user manual from the official website ([www.nocpix.com](http://www.nocpix.com)).

**DE**

**Bitte lesen Sie dieses Handbuch sorgfältig durch, bevor Sie dieses Produkt verwenden, und bewahren Sie es zum späteren Nachschlagen gut auf.**

Ausführliche Informationen über das Gerät finden Sie im vollständigen Benutzerhandbuch, das Sie von der offiziellen Website ([www.nocpix.com](http://www.nocpix.com)) herunterlesen können.

**IT**

**Si prega di leggere questa guida prima di utilizzare il prodotto e conservarla per riferimento futuro.**

Per informazioni dettagliate sul dispositivo, si prega di scaricare il manuale d'uso completo dal sito ufficiale ([www.nocpix.com](http://www.nocpix.com)).

**FR**

**Veillez consulter ce guide avant d'utiliser le produit et gardez-le pour vous y référer ultérieurement.**

Pour plus d'informations sur l'appareil, veuillez télécharger le manuel d'utilisation complet sur le site officiel ([www.nocpix.com](http://www.nocpix.com)).

**ES**

**Lea este manual antes de usar el producto y conserve la guía para referencia futura.**

Para obtener información detallada sobre el dispositivo, descargue el manual de usuario completo del sitio web oficial ([www.nocpix.com](http://www.nocpix.com)).

# | Important Safety Information

## **Environmental influences**

Never point the lens of the device directly at intense heat sources such as the sun or laser equipment. The objective lens and eyepiece can function as a burning glass and damage the interior components.

## **Risk of swallowing**

Do not place this device in the hands of small children. Incorrect handling can cause small parts to come loose which may be swallowed.

## **Safety instructions for use**

- Handle the device with care: rough handling may damage the battery.
- Do not expose the device to fire or high temperatures.
- Install the batteries correctly according to the instruction on the device. Reverse connection is prohibited.
- The battery capacity decreases when operated in a cold ambient temperature. This is not a fault and occurs for technical reasons.
- Always store the device in a dry, well-ventilated space. For prolonged storage, remove the batteries.
- The recommended temperature for using this product is  $-20^{\circ}$  to  $+50^{\circ}$ . Otherwise, it will affect the service life of the product.
- Do not store the device for long periods at temperatures below  $20^{\circ}\text{C}$  or above  $50^{\circ}\text{C}$ , or this will permanently reduce the capacity of the battery.
- If the device has been damaged or the battery is defective, send the device to our after-sales service for repair.

## **EU Compliance Statement**

Wireless transmitter module frequency range:

WLAN: 2.412-2.472GHz (For EU)

Wireless transmitter module power < 20dBm (only for EU)



We, Inlumen Technologies Co., Ltd. hereby declares that the radio equipment types ACE are in compliance with the Directives 2014/53/EU and 2011/65/EU.

### **Disposal of batteries**



2023/1542 (Battery Regulation): This product contains a battery that cannot be disposed of as unsorted municipal waste in the European Union.

For battery details, refer to the documentation of the specific product. The battery is marked with this symbol, which may include Cd (indicating cadmium), Pb (indicating lead), or Hg (indicating mercury). For proper recycling, please return the battery to your supplier or send it to a designated collection point. For more information, visit [www.recyclethis.info](http://www.recyclethis.info).

### **User information on the disposal of electrical and electronic devices (private households)**



2012/19/EU (WEEE directive): Products marked with this symbol cannot be disposed of as unsorted municipal waste in the European Union. For proper recycling, return this product to your local supplier upon the purchase of equivalent new equipment, or

dispose of it at designated collection points. For more information see: [www.recyclethis.info](http://www.recyclethis.info).

### **For business customers within the European Union**

Please contact your dealer or supplier regarding the disposal of electrical and electronic devices. He will provide you with further information.

### **Information on disposal in other countries outside of the European Union**

This symbol is only applicable in the European Union. Please contact your local authority or dealer if you wish to dispose of this product and ask for a disposal option.

## **Intended use**

The device is intended for displaying heat signatures during nature observation, remote hunting observations and for civil use. This device is not a toy for children.

Use the device only as described in this operating manual. The manufacturer and the dealer accept no liability for damages which arise due to non-intended or incorrect use.

## **Function test**

Before use, please ensure that your device has no visible damage.

Test to see if the device displays a clear, undisturbed image.

Check that the settings for the thermal imaging monocular are correct.

## **Installing/Removing the battery**

The ACE series uses a dual battery system with an internal battery and a replaceable 18650 battery. Please refer to the section of "Battery Install" for details on how to replace the 18650 battery.

## **FCC Statement**

FCC ID: 2BHFB-ACE-00

## **Labeling requirements**

This device complies with part 15 of the FCC Rules. Operation is subject to the following two conditions: (1) This device may not cause harmful interference, and (2) this device must accept any interference received, including interference that may cause undesired operation.

## **Information to the user**

Any Changes or modifications not expressly approved by the party responsible for compliance could void the user's authority to operate the equipment.

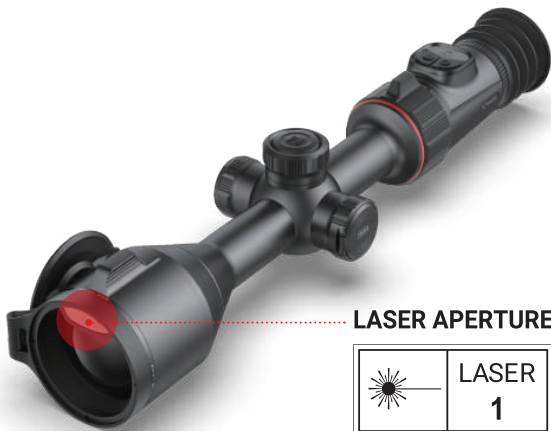
## EMC: Class A

Note: This equipment has been tested and found to comply with the limits for a Class A digital device, pursuant to part 15 of the FCC Rules. These limits are designed to provide reasonable protection against harmful interference when the equipment is operated in a commercial environment. This equipment generates, uses, and can radiate radio frequency energy and, if not installed and used in accordance with the instruction manual, may cause harmful interference to radio communications. Operation of this equipment in a residential area is likely to cause harmful interference in which case the user will be required to correct the interference at his own expense.

To comply with RF exposure requirements, a minimum separation distance of 0.00 cm must be maintained between the user's body and the handset, including the antenna.

## Laser Warning

ACE H50R/ACE S60R



LASER APERTURE



# ACE Quick Start Guide



**EN**

Thermal Imaging Scope

1-16

**DE**

Wärmebild-Zielfernrohr

17-32

**IT**

Monocolare per imaging termico

33-48

**FR**

Lunette d'imagerie thermique

49-64

**ES**

Visor de Imagen Térmica

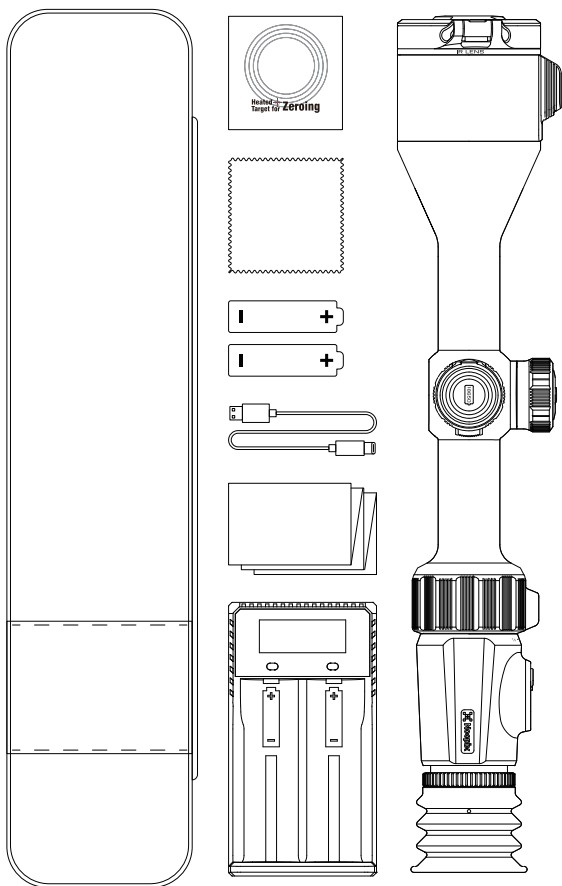
65-80



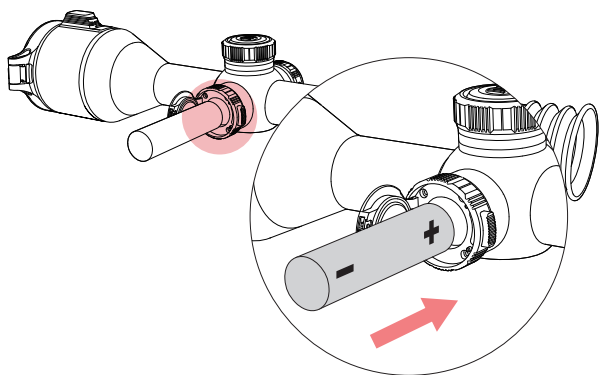
**RoHS**



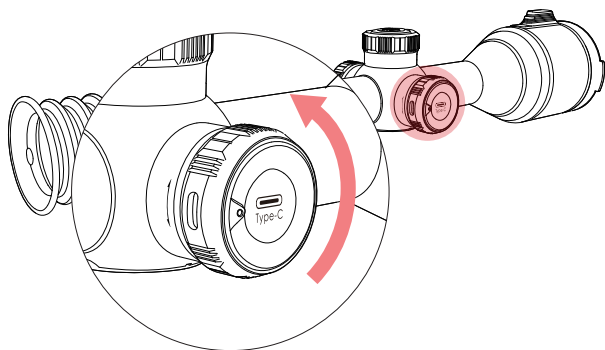
# Accessories



## | Battery Install

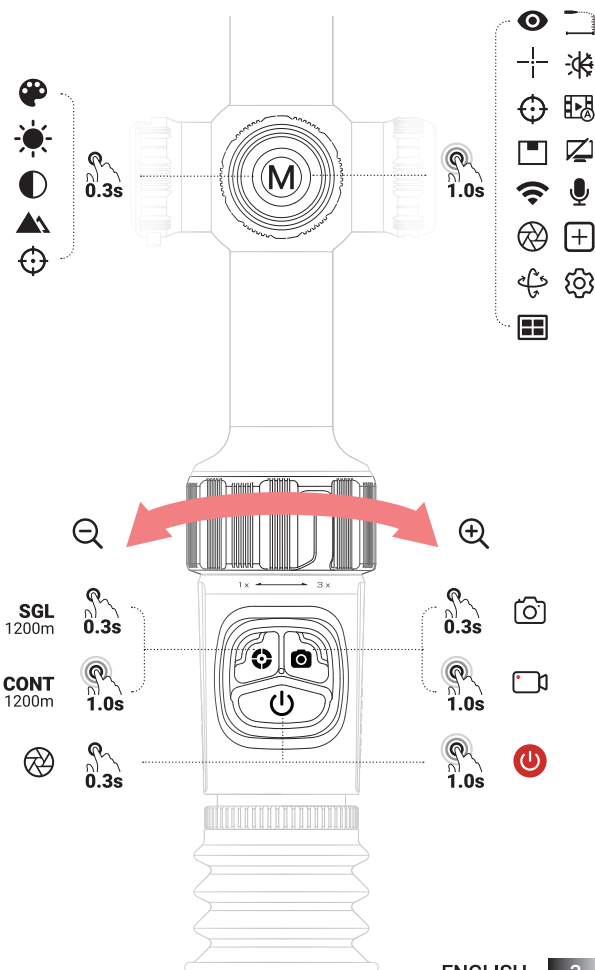


## | Type-C port



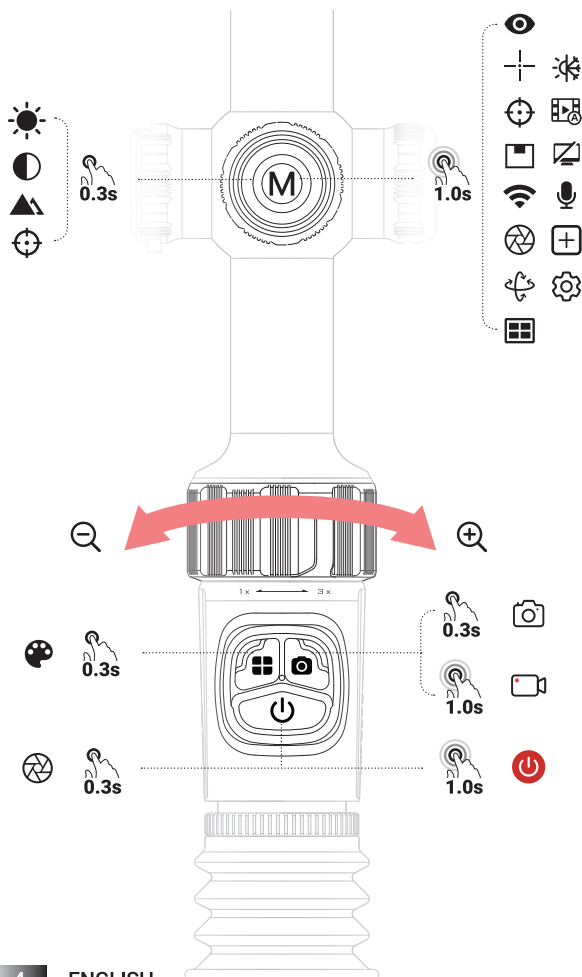
# Button Descriptions

ACE H50R/ACE S60R

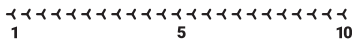
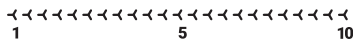
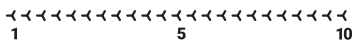
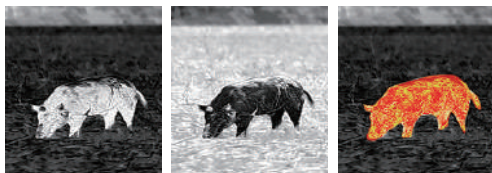


# Button Descriptions

ACE H50/ACE L35

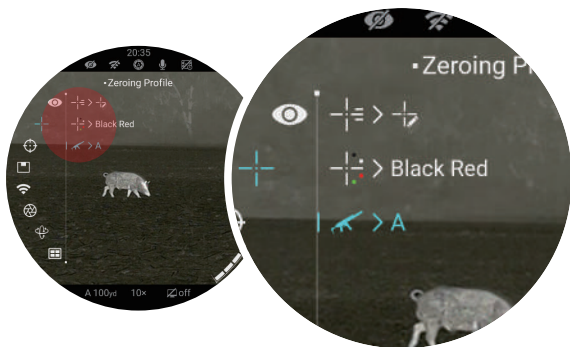


# Shortcut Menu



# | Zeroing

Set the zeroing profile to A, B, C, D, E, or F in “Reticle” “Zeroing Profile”.



Set a suitable target and take one good shot at the target.

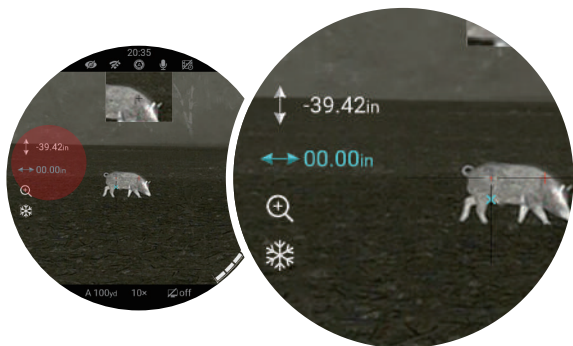


**If the POI does not match the reticle, select the Image Freeze icon, short press the Menu button to freeze the image.**



**Adjust the X/Y position of the reticle:**

- a. Short press the Menu button to select X or Y direction. The selected axis will turn from white to blue
- b. Rotate the controller to move the reticle position.
- c. A red cursor representing the original position of the reticle.



d. When the reticle matches the POI, long press the Menu button to save the reticle position.



Shoot again to check POI matches the reticle or not.  
If not, do the zeroing again.

## Laser Rangefinder

ACE H50R/ACE S60R



SGL  0.3s



 CONT 1.0s



# Ballistic Calculation

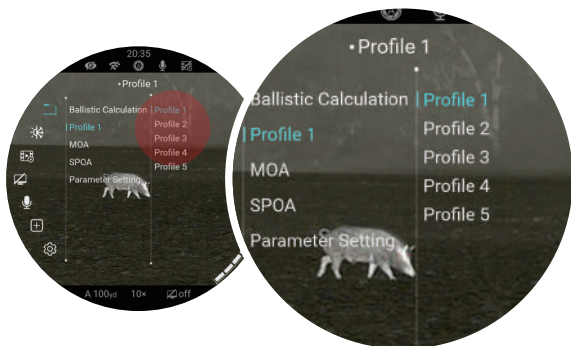
ACE H50R/ACE S60R

Set the Ballistic Calculation to ON.

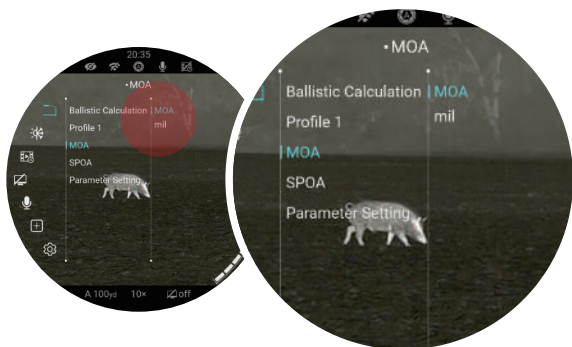


Select the bullet profile from 1 to 5.

**i** You can also customize the bullet name through the NOCPX APP.



Set the unit to MOA or mil.

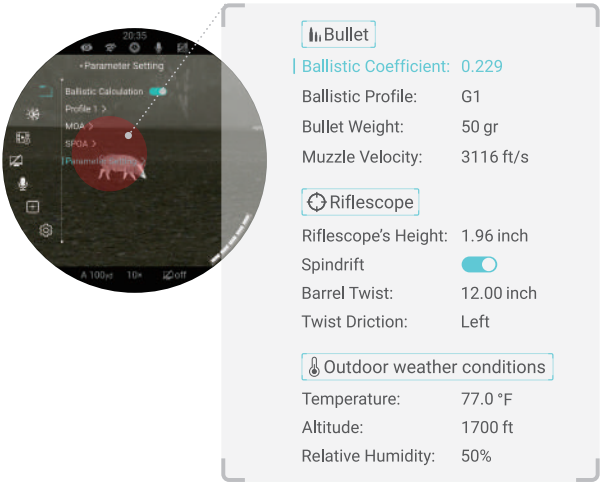


Set the Suggested Point of Aim to  $\times$  ,  $+$  ,  $\bullet$  or  $\dots$  ;  
When SPOA is set to Move Reticle, the ACE will automatically  
move the original reticle to the SPOA.



## Set parameters of bullets, rifles, and the environment.

- Parameter settings can also be adjusted through the NOCPIX APP.



**Bullet**

- Ballistic Coefficient: 0.229
- Ballistic Profile: G1
- Bullet Weight: 50 gr
- Muzzle Velocity: 3116 ft/s

**Riflescope**

- Riflescope's Height: 1.96 inch
- Spindrift:
- Barrel Twist: 12.00 inch
- Twist Direction: Left

**Outdoor weather conditions**

- Temperature: 77.0 °F
- Altitude: 1700 ft
- Relative Humidity: 50%

Once the settings are completed, a single ranging will prompt the recommended POI.



SGL 892m

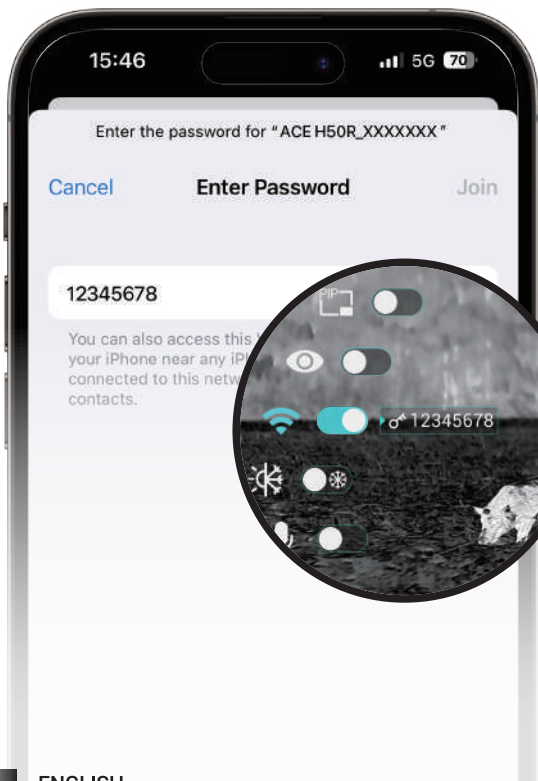
- MDA 0.00
- MDA -20.10

SGL 892m

- MDA 0.00
- MDA -20.10

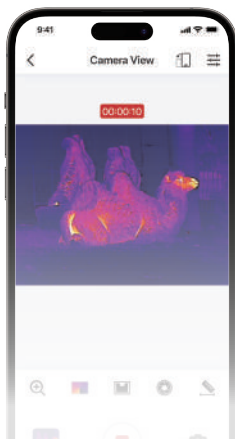
# | App

🔍 NOCPIX

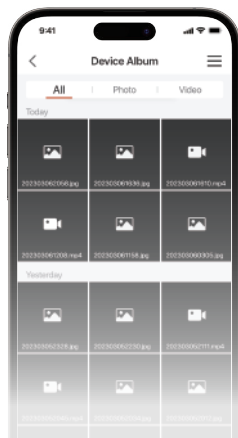




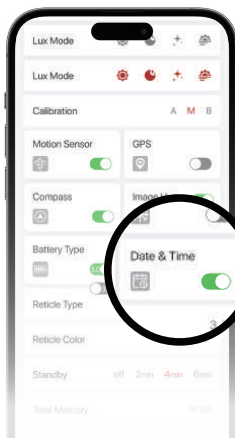
Firmware upgrade



Real-time image transmission



Device file



Date & Time calibration

# Specifications

Model	ACE L35	ACE H50
Resolution, Pixels	384×288/12μm	640×512/12μm
NETD, mK	≤18	≤15
Frame Rate, Hz	60	
Objective Lens, mm	35/F0.9	50/F0.9
Field of View (H×V), °/m at 100m	7.5×5.7/ 13.2×9.9	8.8×7.0/ 15.4×12.3
Magnification, ×	4~16	3~24
Ocular Zoom, ×	1~3	
Eye Relief, mm	50	
Diopter, D	-5~+5	
Detection Range, m (Target Size: 1.7m×0.5m, P(n)=99%)	1800	2600
Display	AMOLED 2560×2560	
Battery Type	Built-in battery/4000mAh + replaceable 18650 battery	
Max. operation time, (t=22°C) h	7	
Memory capacity, GB	64GB	
IP rating	IP67	
Operating temperature, °C	-20 ~ +50	
LRF, m	-	
Weight, g (with battery)	1050	1090
Dimension, mm	350×90×62	365×90×68

Model	ACE H50R	ACE S60R
Resolution, Pixels	640×512/12μm	1280×1024/12μm
NETD, mK	≤15	≤15
Frame Rate, Hz	60	50
Objective Lens, mm	50/F0.9	60/F1.0
Field of View (H×V), °/m at 100m	8.8×7.0/ 15.4×12.3	14.7×11.7/ 25.6×20.5
Magnification, ×	3~24	2~24
Ocular Zoom, x	1~3	
Eye Relief, mm	50	
Diopter, D	-5~+5	
Detection Range, m (Target Size: 1.7m×0.5m, P(n)=99%)	2600	3100
Display	AMOLED 2560×2560	
Battery Type	Built-in battery/4000mAh + replaceable 18650 battery	
Max. operation time, (t=22°C) h	7	6
Memory capacity, GB	64GB	
IP rating	IP67	
Operating temperature, °C	-20 ~ +50	
LRF, m	1200 ±1	
Weight, g (with battery)	1120	1300
Dimension, mm	365×90×68	390×90×71

## | Get More Information



Website:  
[www.nocpix.com](http://www.nocpix.com)



User manual



Facebook



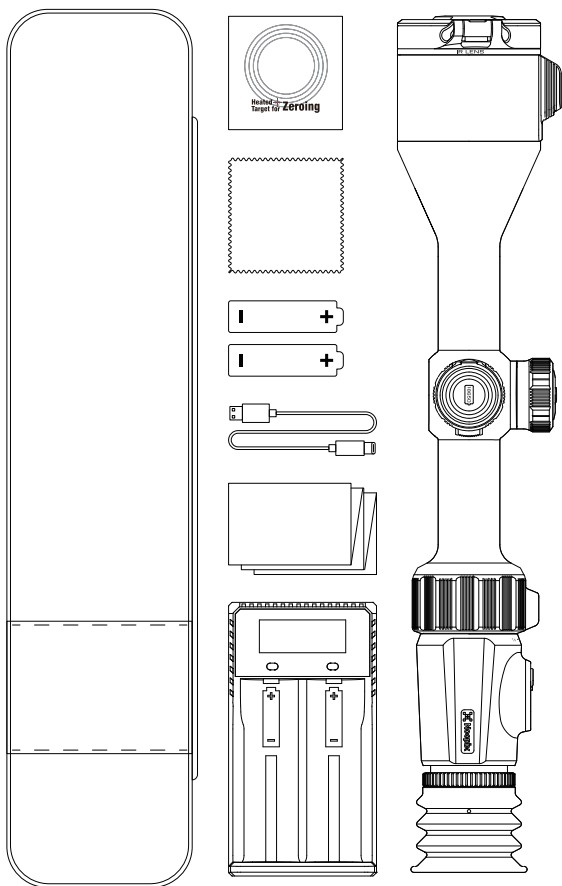
Instagram



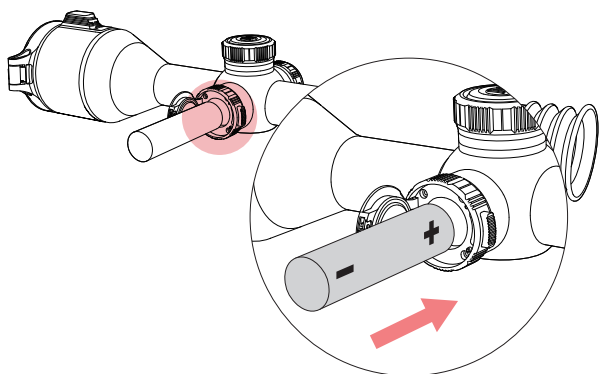
YouTube



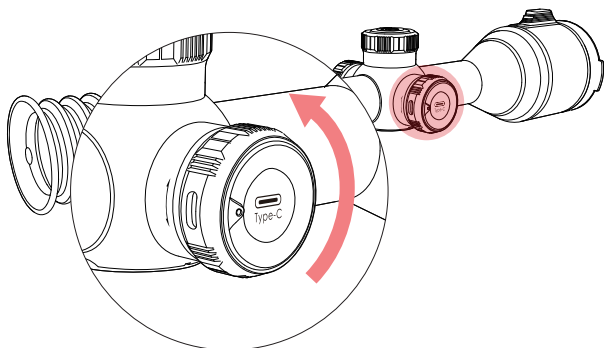
## | Zubehör



## | Batterie einbauen

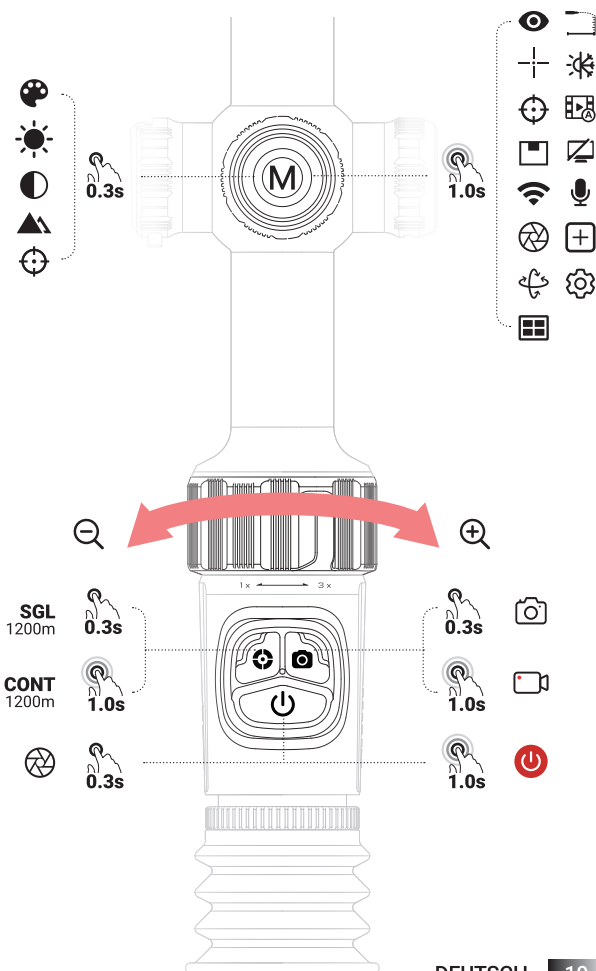


## | Typ-C-Anschluss



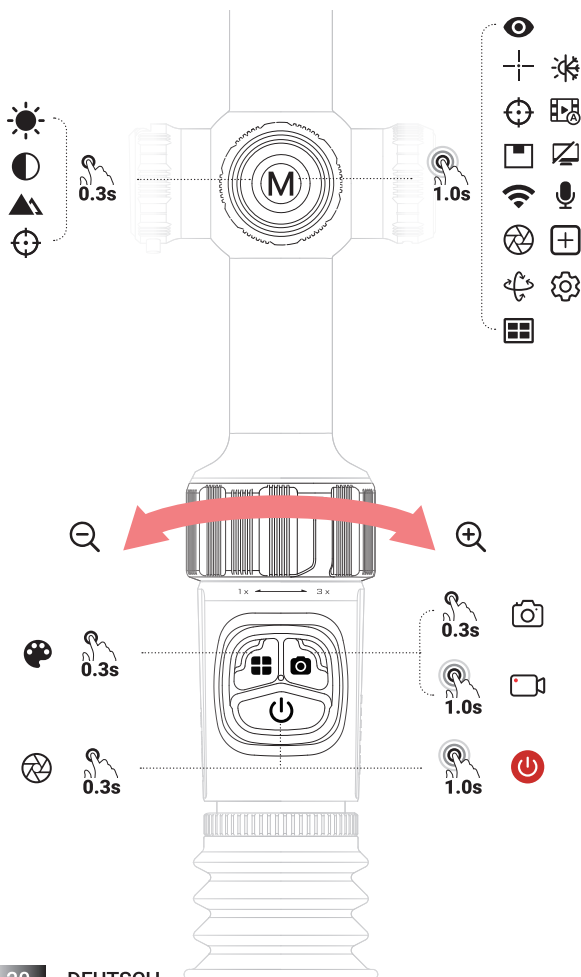
# Tastenbeschreibung

ACE H50R/ACE S60R

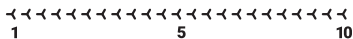
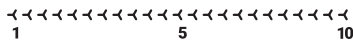
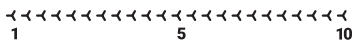
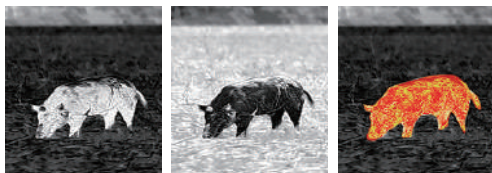


# Tastenbeschreibung

ACE H50/ACE L35

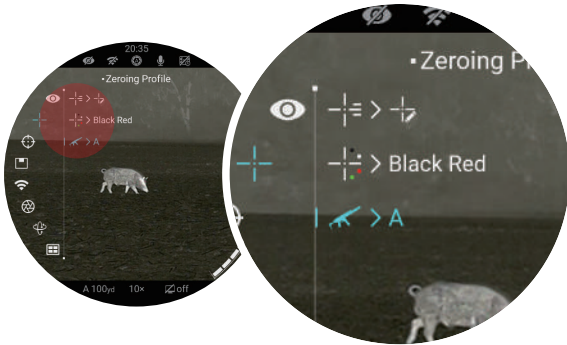


# Kontextmenü

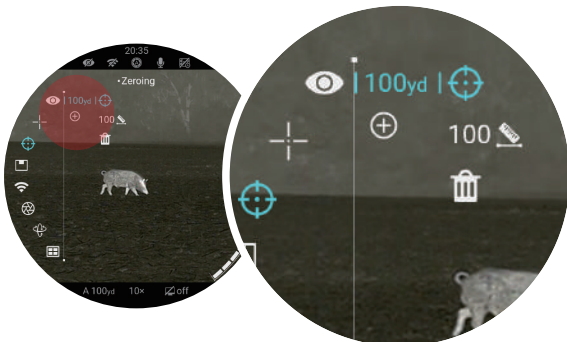


# Einschießen

Stellen Sie das Einschießprofil auf A, B, C, D, E oder F unter „Absehen“ „Einschießprofil“ ein.



Legen Sie ein geeignetes Ziel fest und geben Sie einen guten Schuss auf das Ziel ab.

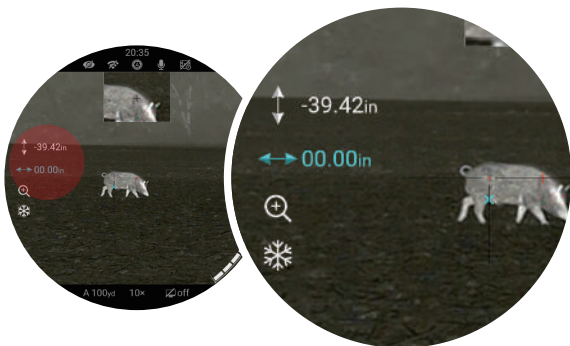


Wenn der POI nicht mit dem Absehen übereinstimmt, wählen Sie das Symbol für das Einfrieren des Bildes und drücken Sie dann kurz die Menütaste, um das Bild einzufrieren.

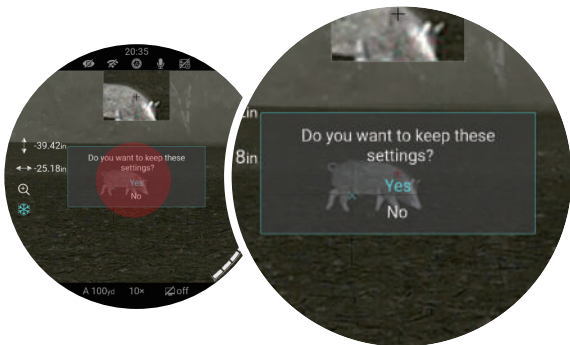


#### Die X/Y-Position des Absehens anpassen:

- Drücken Sie kurz die Menütaste, um die X- oder Y-Richtung auszuwählen. Die ausgewählte Achse wechselt von weiß zu blau.
- Drehen Sie den Regler, um das Absehen zu verschieben.
- Ein roter Cursor zeigt die ursprüngliche Position des Absehens an.



d. Wenn das Absehen mit dem POI übereinstimmt, halten Sie die Menütaste gedrückt, um die Absehenposition zu speichern.



Schießen Sie erneut, um zu überprüfen, ob der POI mit dem Absehen übereinstimmt oder nicht. Falls nicht, führen Sie das Einschießen erneut durch.

## Laser-Entfernungsmesser

ACE H50R/ACE S60R



SGL  
0.3s



CONT  
1.0s

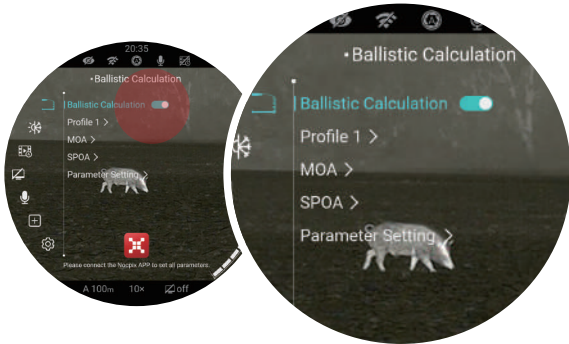
CONT



# Ballistische Berechnung

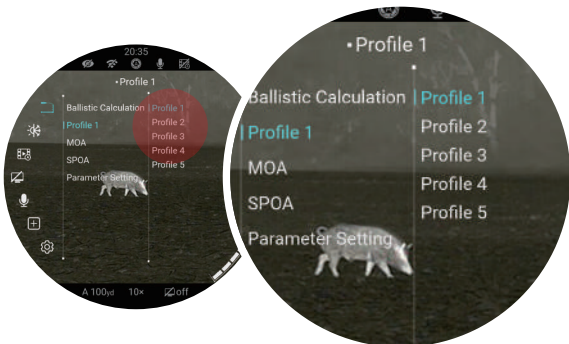
ACE H50R/ACE S60R

Stellen Sie die ballistische Berechnung auf EIN.

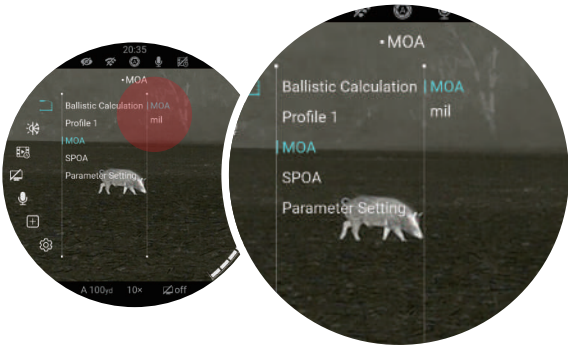


Wählen Sie das Geschossprofil von 1 bis 5.

**i** Sie können den Namen des Geschosses auch in der APP „NOPIX“ ändern.

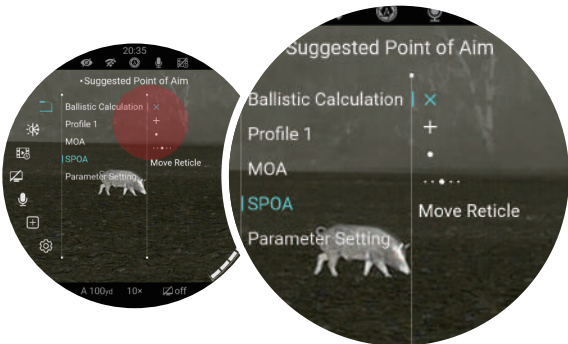


**Stellen Sie die Einheit auf MOA oder mil ein.**



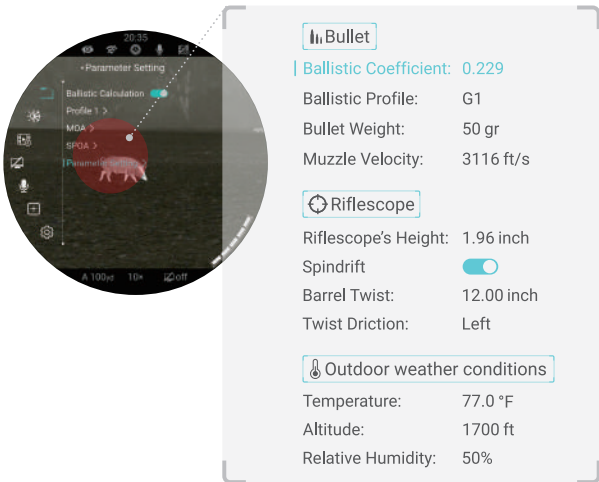
**Stellen Sie den vorgeschlagenen Zielpunkt auf  $\times$ ,  $+$ ,  $\bullet$  oder  $\dots$  ein.**

**Ist SPOA auf „Absehen verschieben“ eingestellt, verschiebt ACE das ursprüngliche Absehen automatisch auf den SPOA.**



## Stellen Sie die Parameter für Geschosse, Gewehre und Umgebung ein.

- i** Die Parametereinstellungen können auch in der APP „NOCPX“ geändert werden.



**Bullet**

- Ballistic Coefficient: 0.229
- Ballistic Profile: G1
- Bullet Weight: 50 gr
- Muzzle Velocity: 3116 ft/s

**Riflescope**

- Riflescope's Height: 1.96 inch
- Spindrift:
- Barrel Twist: 12.00 inch
- Twist Driction: Left

**Outdoor weather conditions**

- Temperature: 77.0 °F
- Altitude: 1700 ft
- Relative Humidity: 50%

Nachdem die Einstellungen abgeschlossen sind, wird der empfohlene POI für die einzelne Entfernungsmessung angezeigt.



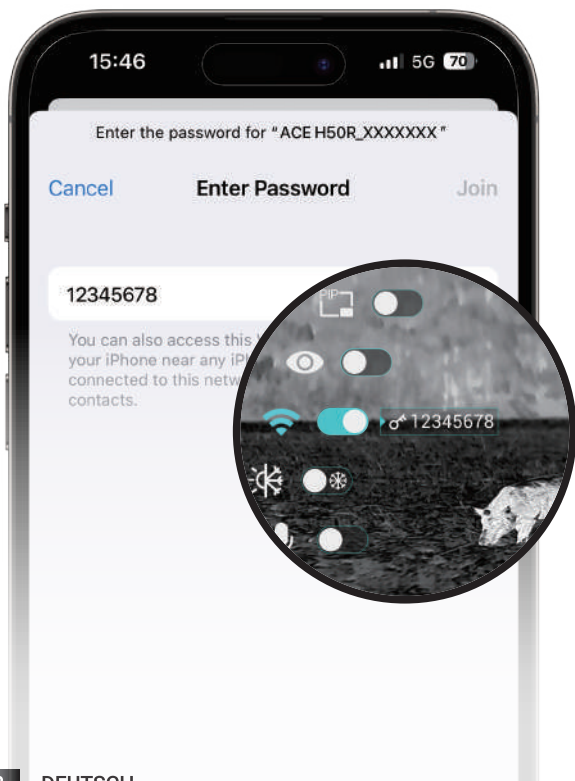
SGL 892m

- MOA 0.00
- MOA -20.10


SGL 892m

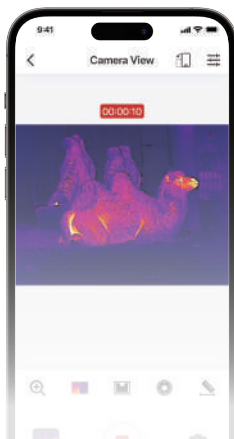
- MOA 0.00
- MOA -20.10

# | App

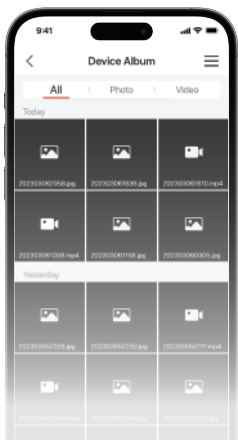




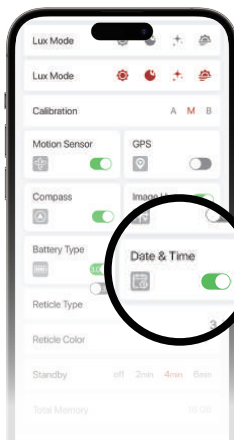
 Firmware-Upgrade



 Bildübertragung  
in Echtzeit



 Gerätedatei



 Kalibrierung von  
Datum und Uhrzeit

# Spezifikationen

Modell	ACE L35	ACE H50
Auflösung, Pixel	384x288/12µm	640x512/12µm
NETD, mK	≤18	≤15
Bildfrequenz, Hz	60	
Objektivlinse, mm	35/F0.9	50/F0.9
Sichtfeld, °/m bei 100m	7.5x5.7/ 13.2x9.9	8.8x7.0/ 15.4x12.3
Vergrößerung, x	4~16	3~24
Vergrößerung des Okulars, x	1~3	
Austrittspupille, mm	50	
Dioptrie, D	-5~+5	
Detektionsreichweite, m (Zielgröße: 1,7 m x 0,5 m, P(n) = 99%)	1800	2600
Display	AMOLED 2560x2560	
Batterie	Eingebaute Batterie / 4000mAh + auswechselbare 18650-Batterie	
Max. Betriebsdauer, (t=22°C), h	7	
Speicherkapazität, GB	64GB	
IP-Schutzart	IP67	
Betriebstemperatur, °C	-20 ~ +50	
LRF, m	-	
Gewicht, g (mit Batterie)	1050	1090
Abmessungen, mm	350x90x62	365x90x68

<b>Modell</b>	<b>ACE H50R</b>	<b>ACE S60R</b>
Auflösung, Pixel	640x512/12µm	1280x1024/12µm
NETD, mK	≤15	≤15
Bildfrequenz, Hz	60	50
Objektivlinse, mm	50/F0.9	60/F1.0
Sichtfeld, °/m bei 100m	8.8x7.0/ 15.4x12.3	14.7x11.7/ 25.6x20.5
Vergrößerung, x	3~24	2~24
Vergrößerung des Okulars, x	1~3	
Austrittspupille, mm	50	
Dioptrie, D	-5~+5	
Detektionsreichweite, m (Zielgröße: 1,7 m x 0,5 m, P(n) = 99%)	2600	3100
Display	AMOLED 2560x2560	
Batterie	Eingebaute Batterie / 4000mAh + auswechselbare 18650-Batterie	
Max. Betriebsdauer, (t=22°C), h	7	6
Speicherkapazität, GB	64GB	
IP-Schutzart	IP67	
Betriebstemperatur, °C	-20 ~ +50	
LRF, m	1200 ±1	
Gewicht, g (mit Batterie)	1120	1300
Abmessungen, mm	365x90x68	390x90x71

## | Weitere Informationen



Website:  
[www.nocpix.com](http://www.nocpix.com)



Benutzerhandbuch



Facebook



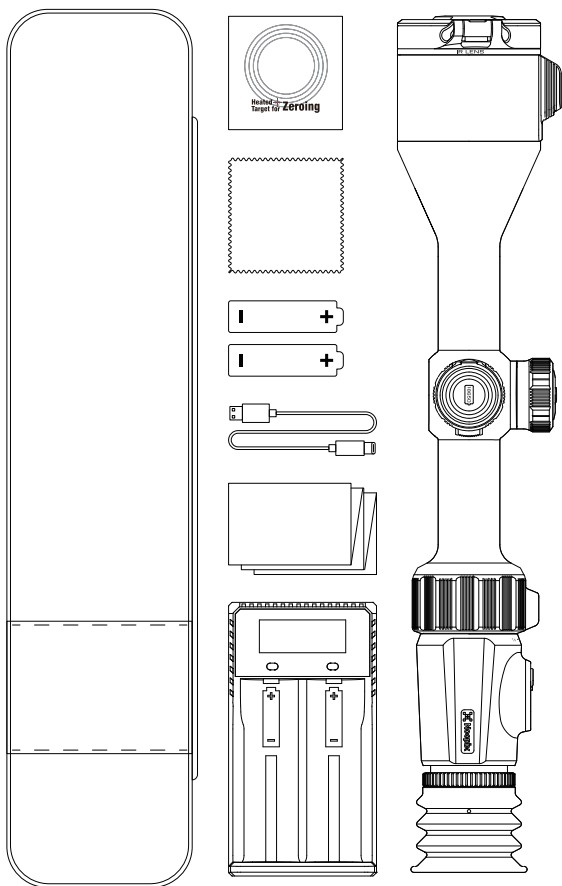
Instagram



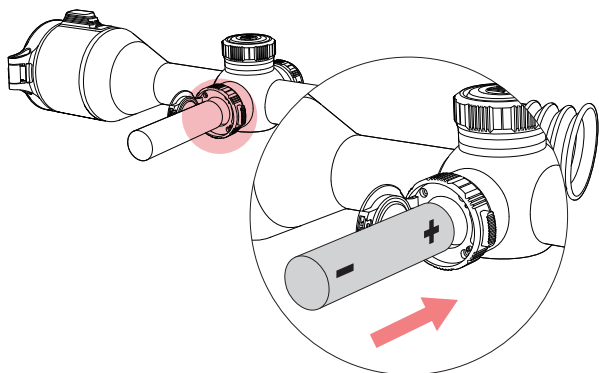
YouTube



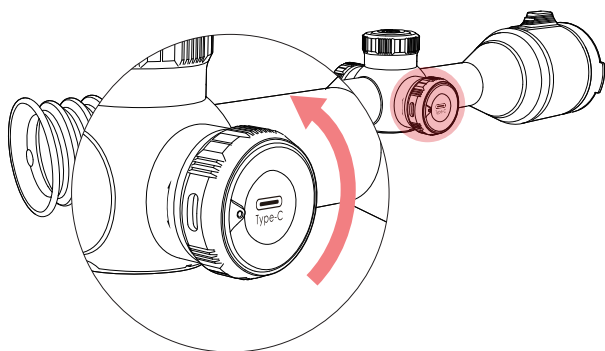
## | Accessori



## | Batterie

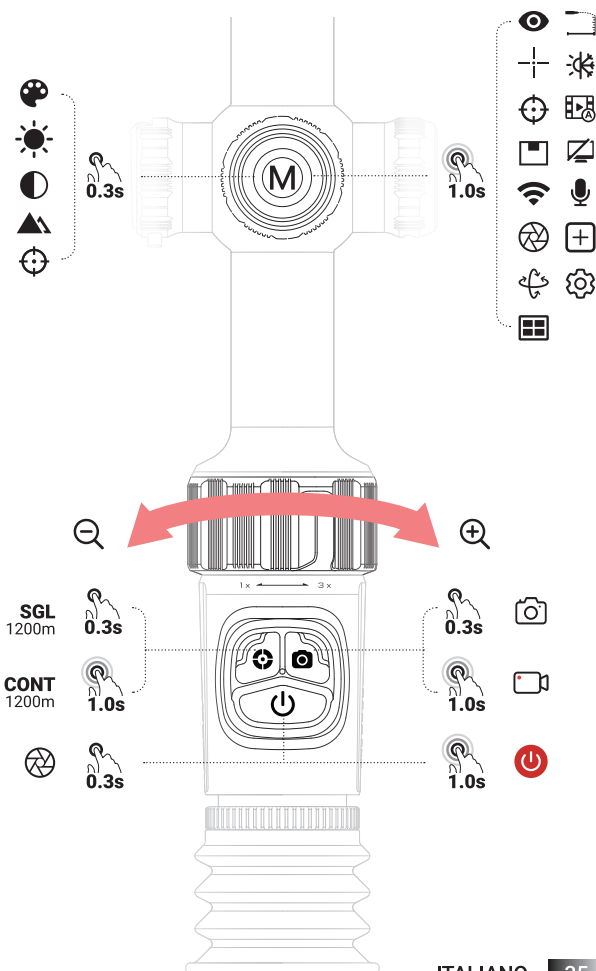


## | Porta Tipo-C



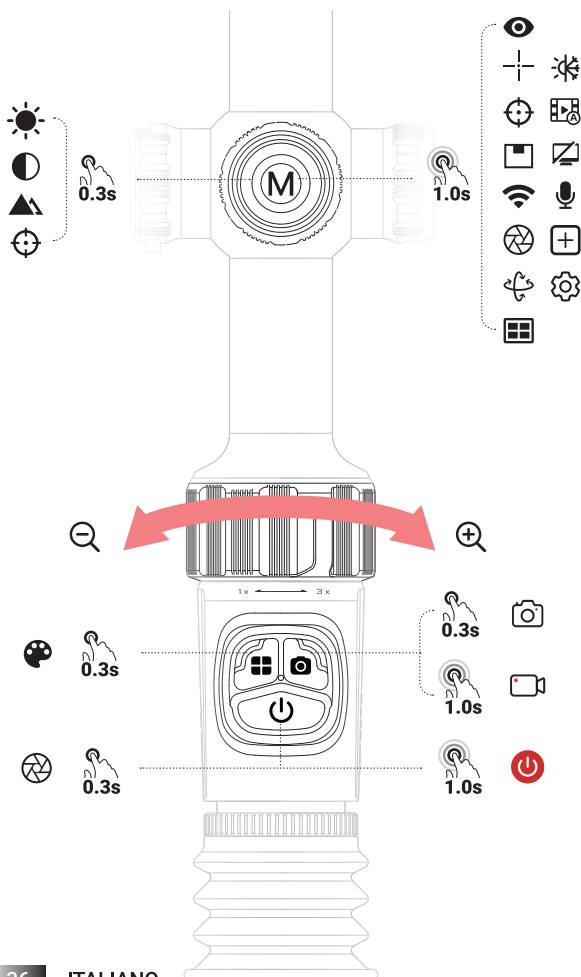
# Descrizioni dei pulsanti

ACE H50R/ACE S60R

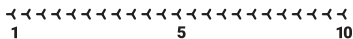
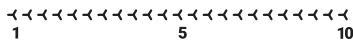
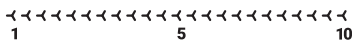
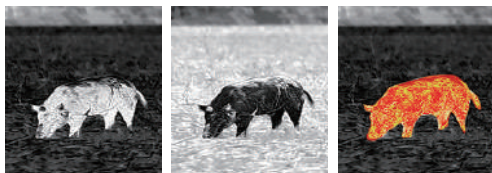


# Descrizioni dei pulsanti

ACE H50/ACE L35

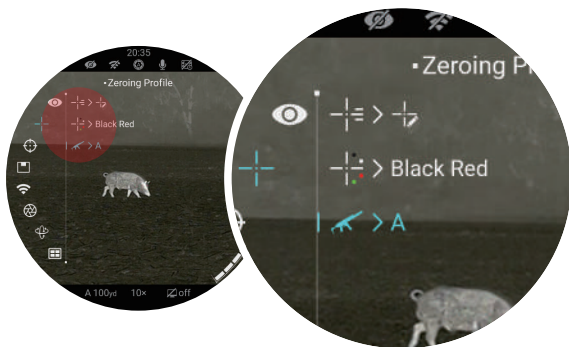


# Menu di scelta rapida



# Azzeramento

Imposta il profilo di taratura su A, B, C, D, E o F in "Reticolo" > Profilo di taratura.



Imposta un bersaglio adatto e sparagli un colpo preciso.

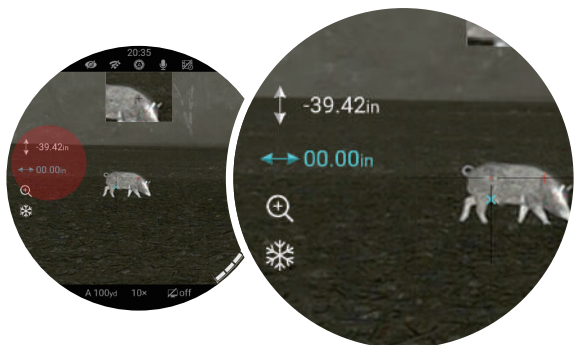


**Se il punto di impatto (POI) non corrisponde al reticolo, seleziona l'icona "Immagine fissa" e premi brevemente il pulsante Menu per congelare l'immagine.**

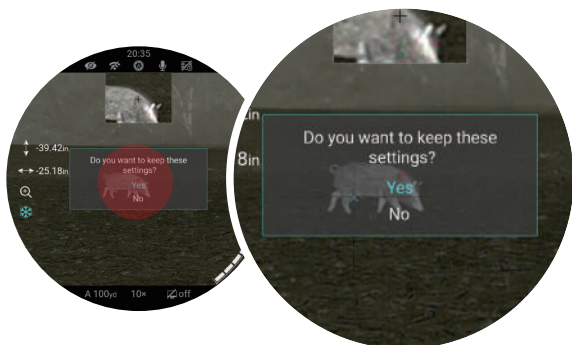


**In caso contrario, regola nuovamente la posizione X/Y del reticolo:**

- Premi brevemente il pulsante Menu per selezionare la direzione X o Y. L'asse selezionato cambierà da bianco a blu.
- Ruota il controller per spostare la posizione del reticolo.
- Un cursore rosso rappresenterà la posizione originale del reticolo.



d. Quando il reticolo corrisponde al punto di impatto (POI), premi a lungo il pulsante Menu per salvare la posizione.



Spara di nuovo per verificare che il punto di impatto (POI) corrisponda al reticolo. Se non corrisponde, ripeti l'azzeramento.

## | Telemetro laser

ACE H50R/ACE S60R



SGL



CONT



# Calcolo balistico

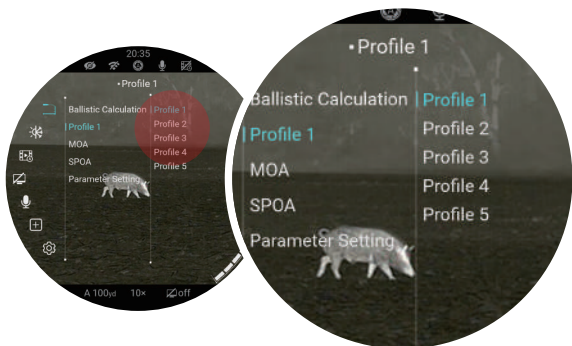
ACE H50R/ACE S60R

Imposta il calcolo balistico su "ON".

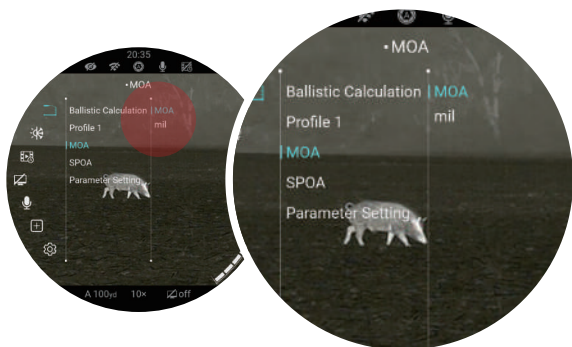


Seleziona il profilo del proiettile da 1 a 5.

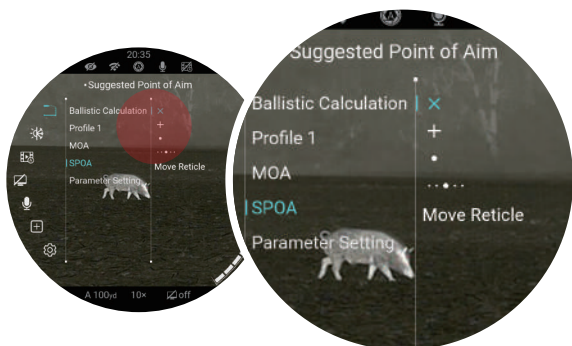
**i** Puoi anche personalizzare il nome del proiettile tramite l'app NOCPIX.



## Imposta l'unità su MOA o mil.

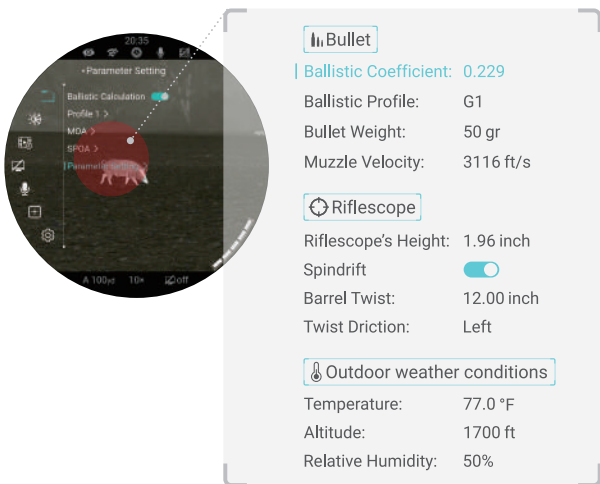


Imposta il "Punto di mira suggerito" su X , + , • o ... .  
Quando il PMS è impostato su "Sposta mirino", il dispositivo automaticamente sposterà il reticolo originale al PMS selezionato.



## Imposta i parametri di proiettili, fucili e dell'ambiente.

- i** Le impostazioni dei parametri possono essere regolate anche tramite l'app NOCPIX.



**Bullet**

- Ballistic Coefficient: 0.229
- Ballistic Profile: G1
- Bullet Weight: 50 gr
- Muzzle Velocity: 3116 ft/s

**Rifle scope**

- Rifle scope's Height: 1.96 inch
- Spindrift:
- Barrel Twist: 12.00 inch
- Twist Direction: Left

**Outdoor weather conditions**

- Temperature: 77.0 °F
- Altitude: 1700 ft
- Relative Humidity: 50%

**Una volta completate le impostazioni, una singola misurazione fornirà il POI raccomandato.**



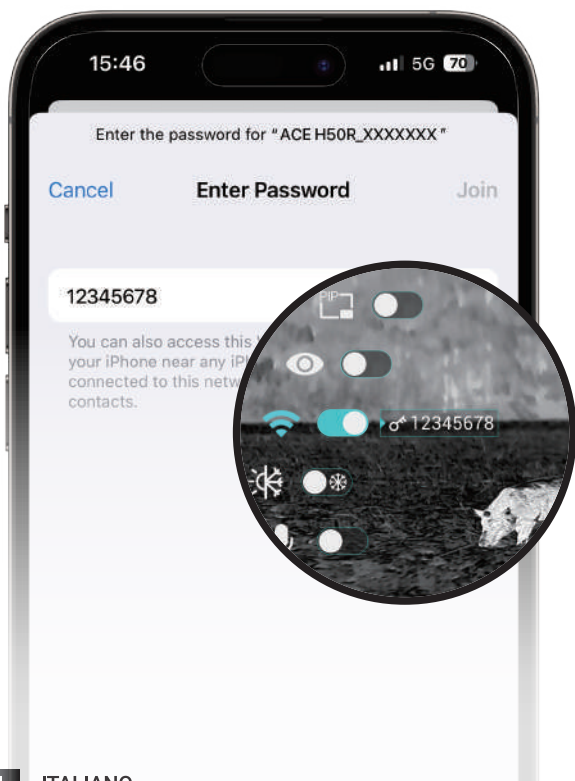
SGL 892m

- MOA 0.00
- MOA -20.10

SGL 892m

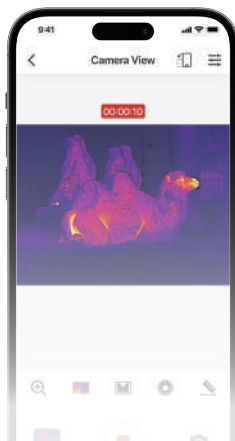
- MOA 0.00
- MOA -20.10

# | App

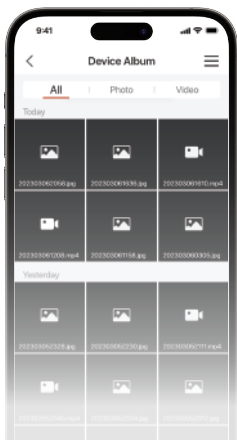




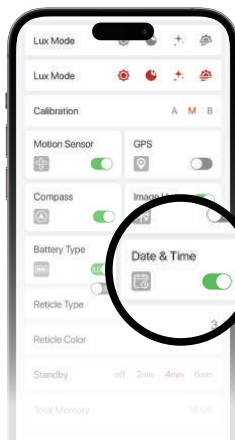
Aggiornamento  
firmware



Trasmissione di  
immagini in tempo reale



File di dispositivo



Data e ora di  
calibrazione

# Specifiche

Modello	ACE L35	ACE H50
Risoluzione, pixel	384x288/12 $\mu$ m	640x512/12 $\mu$ m
NETD, mK	$\leq 18$	$\leq 15$
Frequenza deifotogrammi, Hz	60	
Lente dell'obiettivo, mm	35/F0.9	50/F0.9
Campo visivo (H x V), °/m a 100 m	7.5x5.7/ 13.2x9.9	8.8x7.0/ 15.4x12.3
Ingrandimento, x	4~16	3~24
Zoom oculare, x	1~3	
Distanza interoculare, mm	50	
Diottria, D	-5~+5	
Campo di Rilevamento,m (Dimensione delbersaglio: 1.7 m x 0.5m, P(n)= 99%)	1800	2600
Display	AMOLED 2560x2560	
Batteria	Batteria integrata/4000mAh+ batteria 18650 sostituibile	
Tempo di funzionamento massimo, (t=22°C) h	7	
Capacità di memoria, GB	64GB	
Classificazione IP	IP67	
Temperatura di funzionamento, °C	-20 ~ +50	
LRF, m	-	
Peso, g (con batteria)	1050	1090
Dimensioni, mm	350x90x62	365x90x68

<b>Modello</b>	<b>ACE H50R</b>	<b>ACE S60R</b>
Risoluzione, pixel	640x512/12 $\mu$ m	1280x1024/12 $\mu$ m
NETD, mK	$\leq 15$	$\leq 15$
Frequenza deifotogrammi, Hz	60	50
Lente dell'obiettivo, mm	50/F0.9	60/F1.0
Campo visivo (H x V), °/m a 100 m	8.8x7.0/ 15.4x12.3	14.7x11.7/ 25.6x20.5
Ingrandimento, x	3~24	2~24
Zoom oculare, x	1~3	
Distanza interoculare, mm	50	
Diottria, D	-5~+5	
Campo di Rilevamento,m (Dimensione delbersaglio: 1.7 m x 0.5m, P(n)= 99%)	2600	3100
Display	AMOLED 2560x2560	
Batteria	Batteria integrata/4000mAh+ batteria 18650 sostituibile	
Tempo di funzionamento massimo, (t=22°C) h	7	6
Capacità di memoria, GB	64GB	
Classificazione IP	IP67	
Temperatura di funzionamento, °C	-20 ~ +50	
LRF, m	1200 $\pm$ 1	
Peso, g (con batteria)	1120	1300
Dimensioni, mm	365x90x68	390x90x71

## | Ottieni maggiori informazioni



Sito web:  
[www.nocpix.com](http://www.nocpix.com)



Manuale utente



Facebook



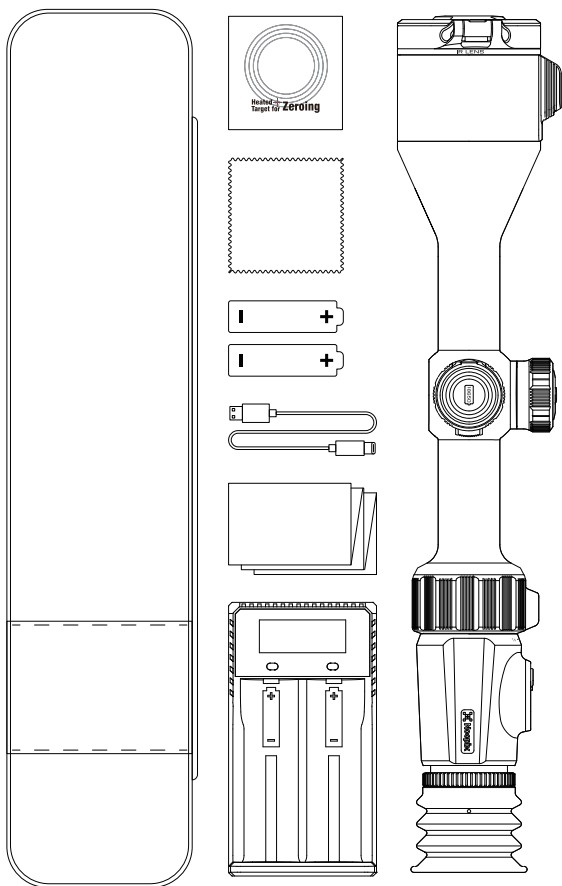
Instagram



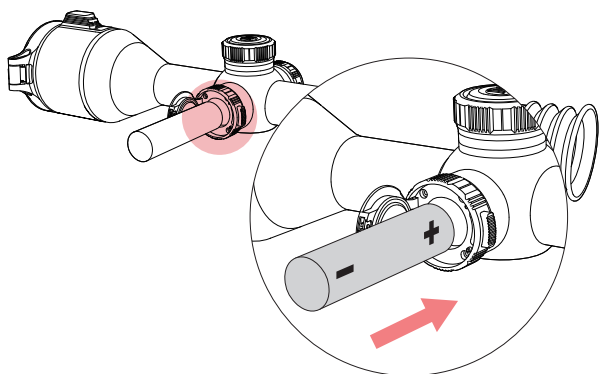
YouTube



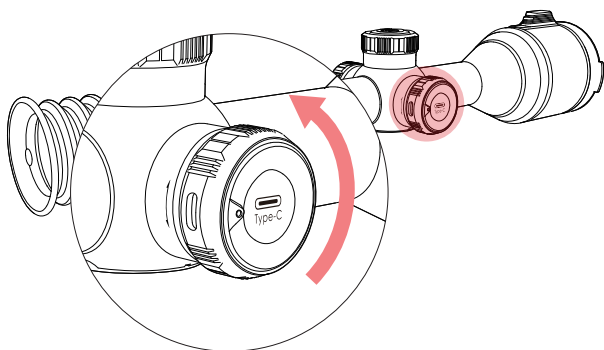
## | Accessoires



## | Installation de la batterie

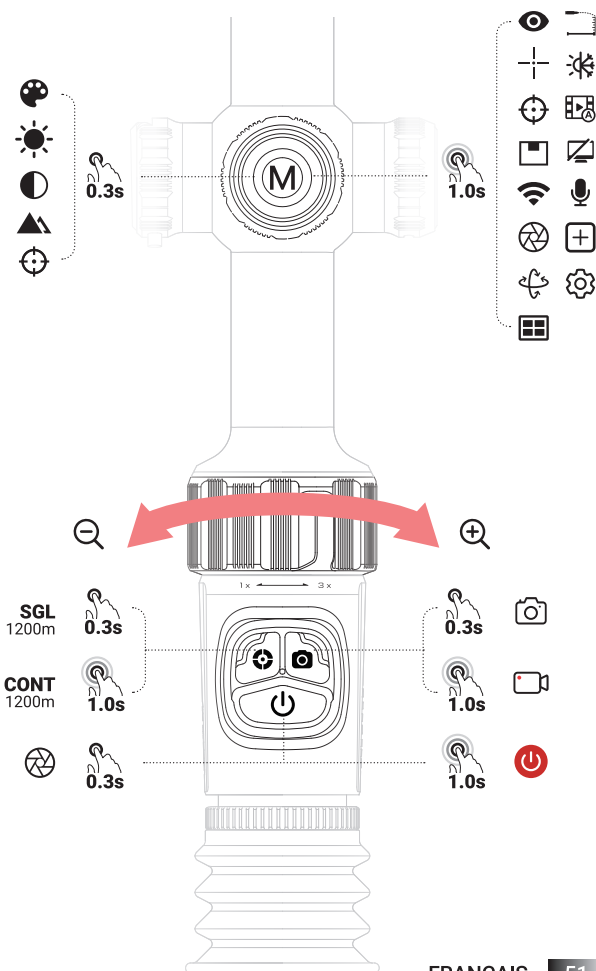


## | Port Type-C



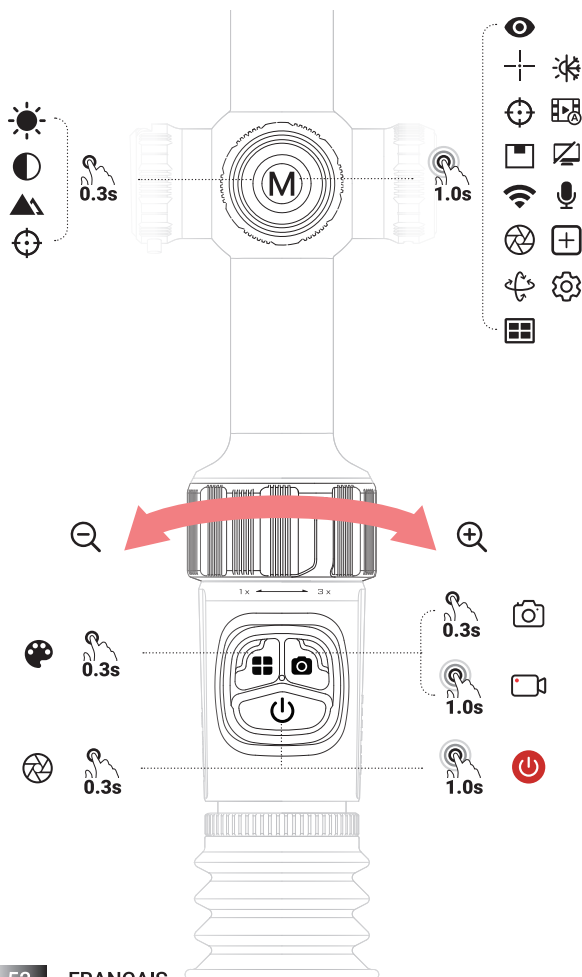
# Description des boutons

ACE H50R/ACE S60R

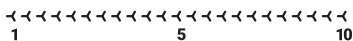
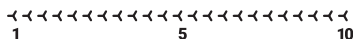
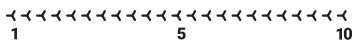
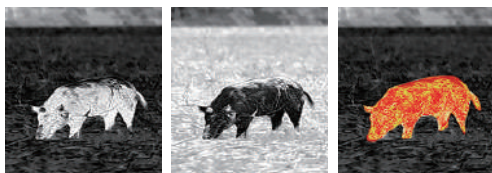


# Description des boutons

ACE H50/ACE L35

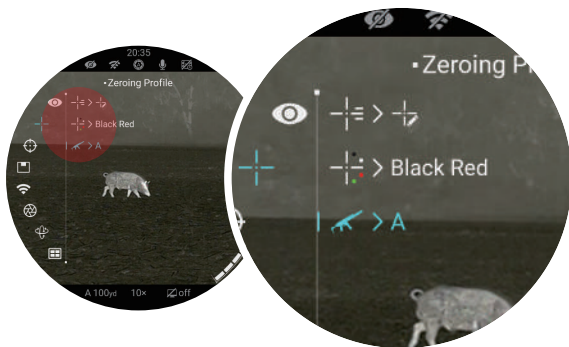


# Menu contextuel



# Mise à zéro

Réglez le profil de mise à zéro sur A, B, C, D, E ou F dans « Réticule » « Profil de mise à zéro ».



Définissez une cible appropriée, puis tirez sur la cible.

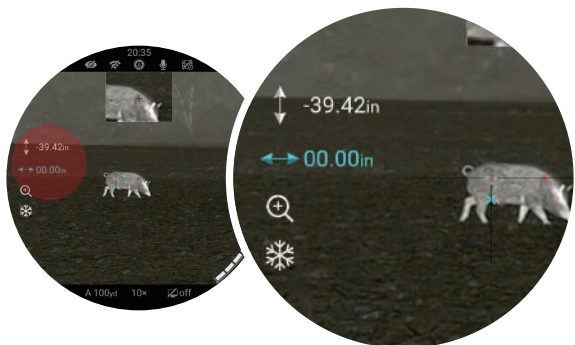


**Si le POI ne correspond pas au réticule, sélectionnez l'icône Gel de l'image et appuyez brièvement sur le bouton de Menu pour figer l'image.**

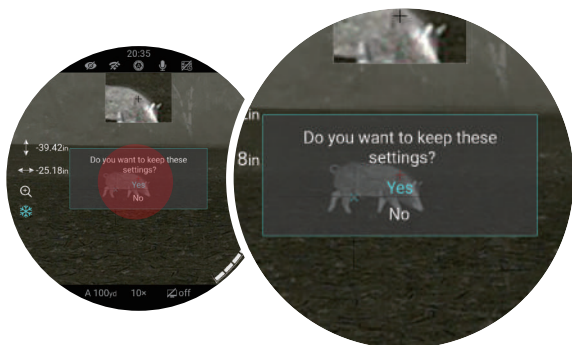


### **Réglez la position X/Y du réticule :**

- Appuyez brièvement sur le bouton de Menu pour sélectionner la direction X ou Y. L'axe sélectionné passe du blanc au bleu.
- Tournez le contrôleur pour déplacer la position du réticule.
- Un curseur rouge représente la position initiale du réticule.



d. Lorsque le réticule correspond au POI, appuyez longuement sur le bouton de Menu pour sauvegarder la position du réticule.



Tirez à nouveau pour vérifier si le POI correspond au réticule. Si cela ne correspond pas, remettez-le à zéro.

## Télémètre laser

ACE H50R/ACE S60R



SGL  
0.3s



CONT  
1.0s



# Calcul balistique

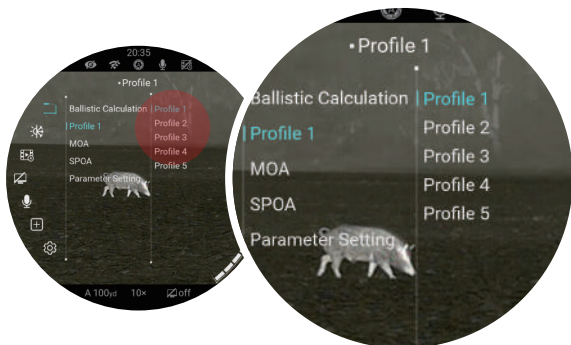
ACE H50R/ACE S60R

Réglez le calcul balistique sur ON.

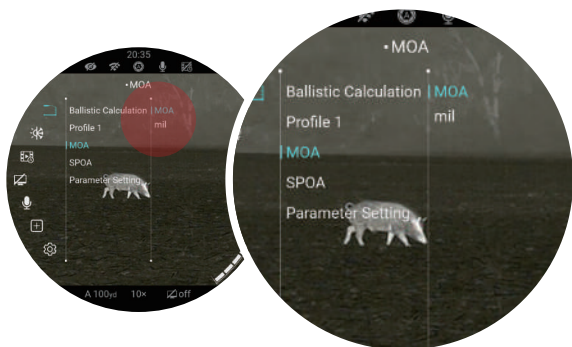


Sélectionnez le profil de la balle de 1 à 5.

**i** Vous pouvez également personnaliser le nom de la balle via l'application NOCPIX.



## Réglez l'unité sur MOA ou mil.




Définissez le point de visée suggéré sur X, +, • ou ••••. Lorsque le SPOA (point de visée suggéré) est réglé sur Déplacer le réticule, l'ACE déplace automatiquement le réticule d'origine vers le SPOA.



## Définissez les paramètres des balles, des fusils et de l'environnement.

- i** Les paramètres peuvent également être réglés via l'application NOCPIX.



**Bullet**

- Ballistic Coefficient: 0.229
- Ballistic Profile: G1
- Bullet Weight: 50 gr
- Muzzle Velocity: 3116 ft/s

**Riflescope**

- Riflescope's Height: 1.96 inch
- Spindrift:
- Barrel Twist: 12.00 inch
- Twist Direction: Left

**Outdoor weather conditions**

- Temperature: 77.0 °F
- Altitude: 1700 ft
- Relative Humidity: 50%

Une fois les réglages terminés, le POI recommandé sera donné lors d'une seule télémétrie.



SGL 892m

MOA 0.00

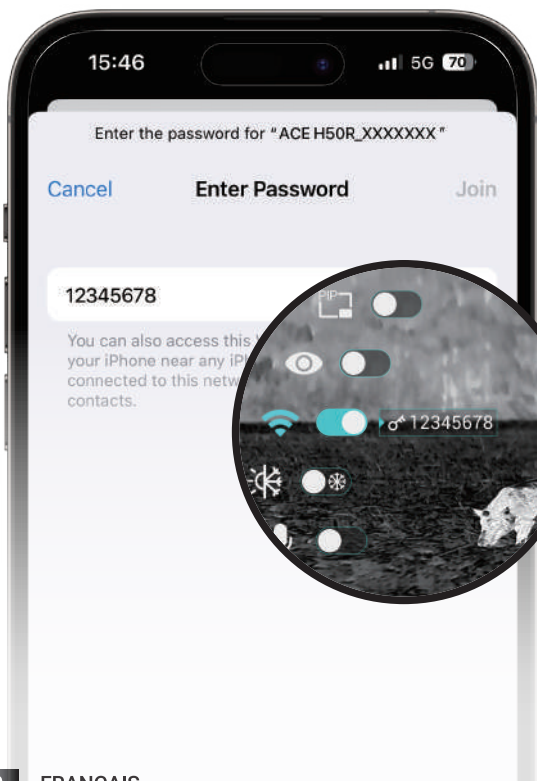
MOA -20.10

SGL 892m

MOA 0.00

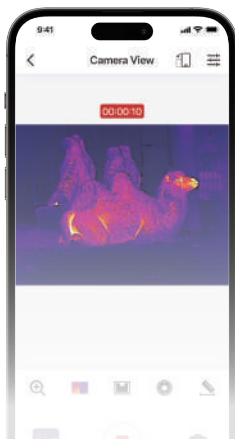
MOA -20.10

# | App

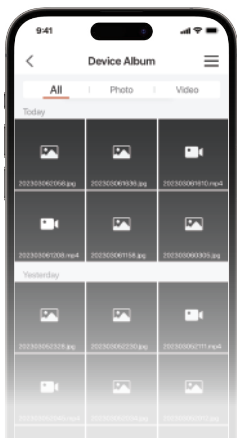




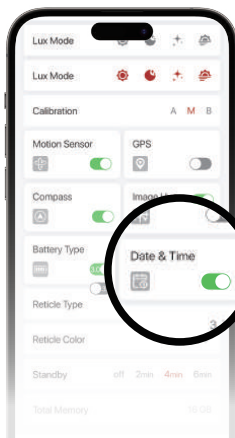
Mise à niveau  
du micrologiciel



Transmission d'images  
en temps réel



Fichier de  
l'appareil



Calibrage de la  
date et de l'heure

# Spécifications

Modèle	ACE L35	ACE H50
Résolution, pixels	384x288/12µm	640x512/12µm
NETD, mK	≤18	≤15
Fréquence des frames, Hz	60	
Objectif, mm	35/F0.9	50/F0.9
Champ de Vision (HxV), °/m à 100 m	7.5x5.7/ 13.2x9.9	8.8x7.0/ 15.4x12.3
Grossissement,x	4~16	3~24
Zoom oculaire, x	1~3	
Distanza interoculare, mm	50	
Dioptrie, D	-5~+5	
Portée de détection, m (Taille cible : 1,7 m x 0,5 m, P(n) = 99 %)	1800	2600
Écran	AMOLED 2560x2560	
Type de batterie	Batterie intégrée/4000mAh + batterie remplaçable 18650	
Autonomie maximale de la batterie (t = 22 °C), h	7	
Capacité de mémoire, Go	64GB	
Indice IP	IP67	
Température de fonctionnement, °C	-20 ~ +50	
LRF, m	-	
Poids, g (avec batterie)	1050	1090
Dimensions, mm	350x90x62	365x90x68

Modèle	ACE H50R	ACE S60R
Résolution, pixels	640x512/12µm	1280x1024/12µm
NETD, mK	≤15	≤15
Fréquence des frames, Hz	60	50
Objectif, mm	50/F0.9	60/F1.0
Champ de Vision (HxV), °/m à 100 m	8.8x7.0/ 15.4x12.3	14.7x11.7/ 25.6x20.5
Grossissement,x	3~24	2~24
Zoom oculaire, x	1~3	
Distanza interoculare, mm	50	
Dioptrie, D	-5~+5	
Portée de détection, m (Taille cible : 1,7 m x 0,5 m, P(n) = 99 %)	2600	3100
Écran	AMOLED 2560x2560	
Type de batterie	Batterie intégrée/4000mAh + batterie remplaçable 18650	
Autonomie maximale de la batterie (t = 22 °C), h	7	6
Capacité de mémoire, Go	64GB	
Indice IP	IP67	
Température de fonctionnement, °C	-20 ~ +50	
LRF, m	1200 ±1	
Poids, g (avec batterie)	1120	1300
Dimensions, mm	365x90x68	390x90x71

## | En savoir plus



Site web:  
[www.nocpix.com](http://www.nocpix.com)



Manuel de l'utilisateur



Facebook



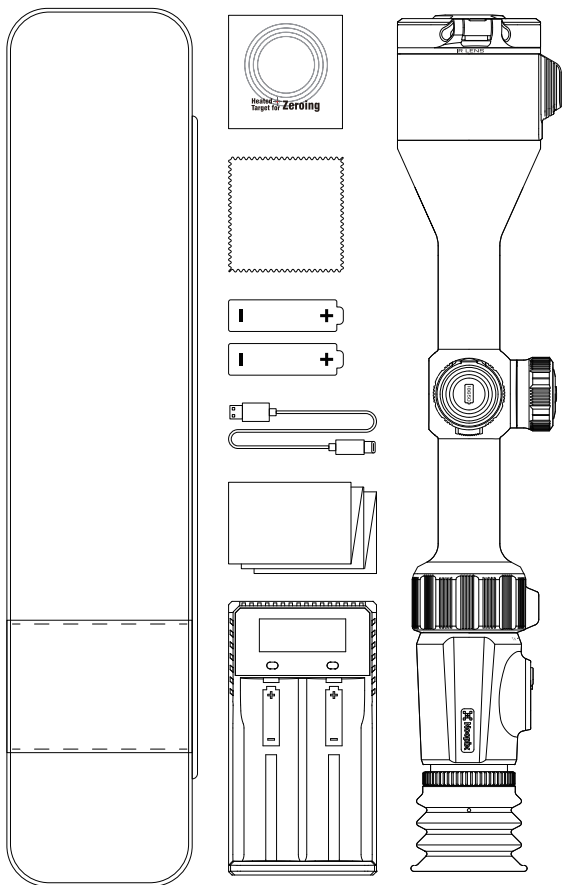
Instagram



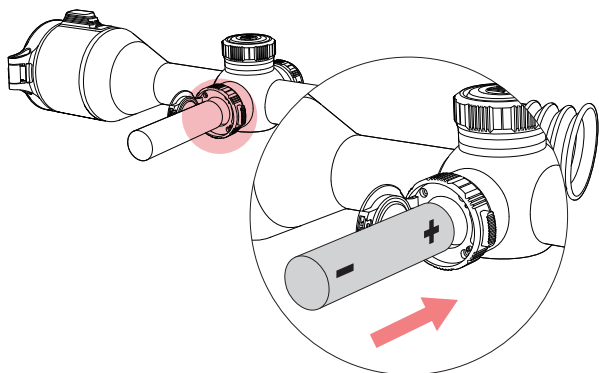
YouTube



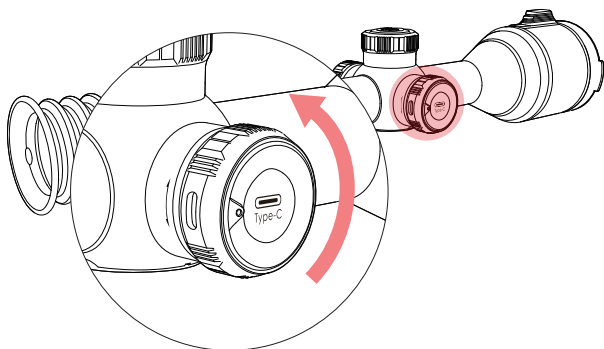
# Accesorios



## | Instalación de Batería

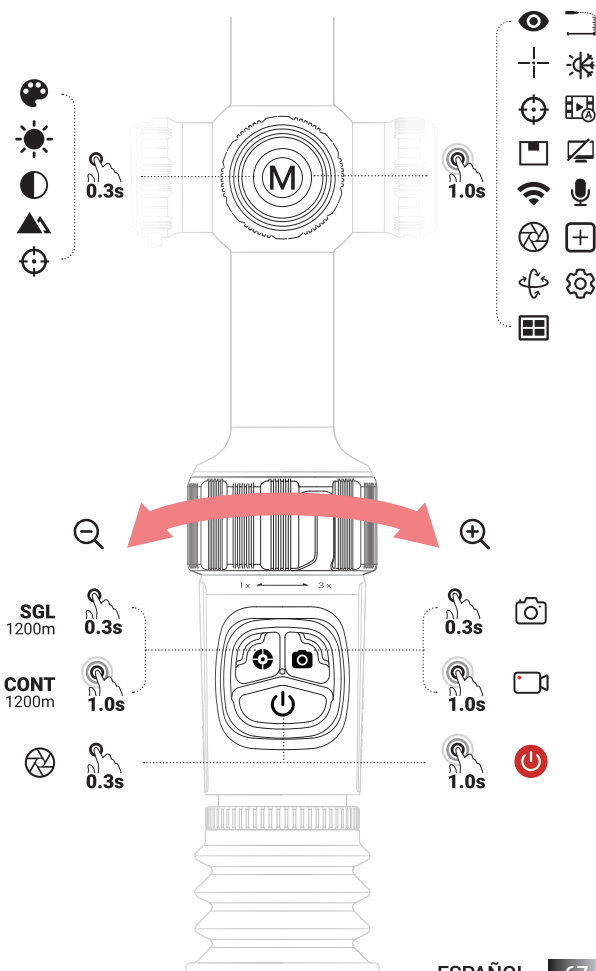


## | Puerto Tipo C



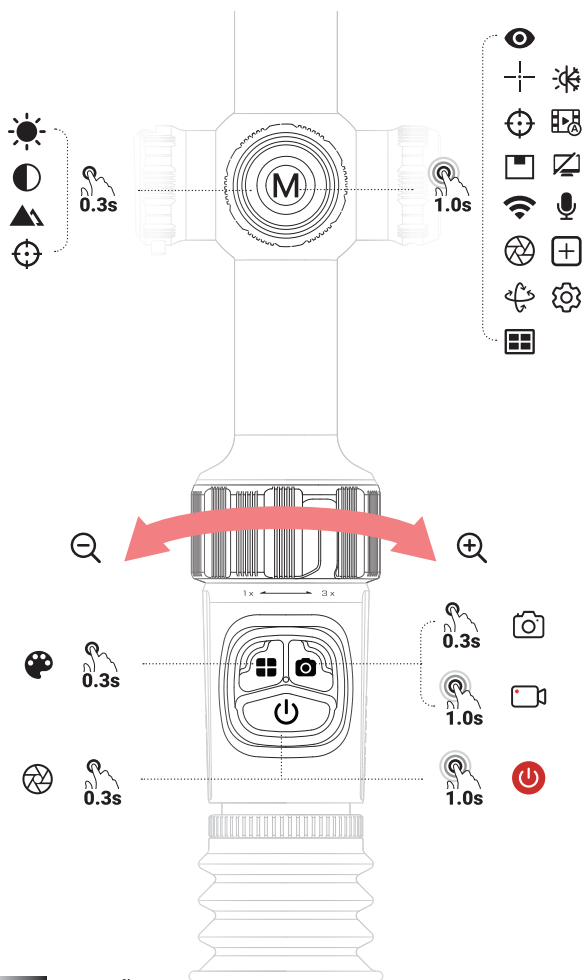
# Descripciones de Botones

ACE H50R/ACE S60R

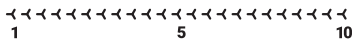
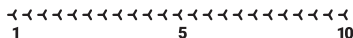
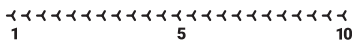
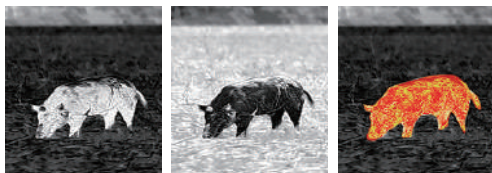


# Descripciones de Botones

ACE H50/ACE L35

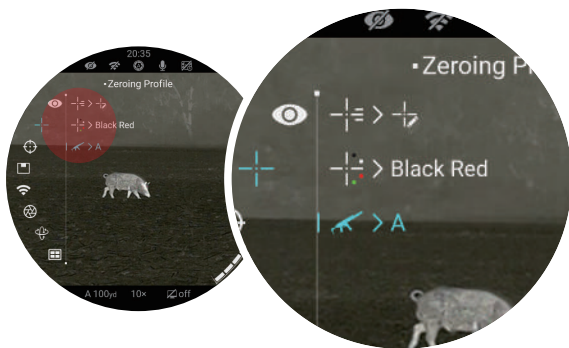


# Menú de Acceso Directo



# | Puesta a cero

Configure el perfil de puesta a cero en A, B, C, D, E o F en "Retícula" "Perfil de Puesta a Cero".



Configure un objetivo adecuado y realice un buen disparo al objetivo.

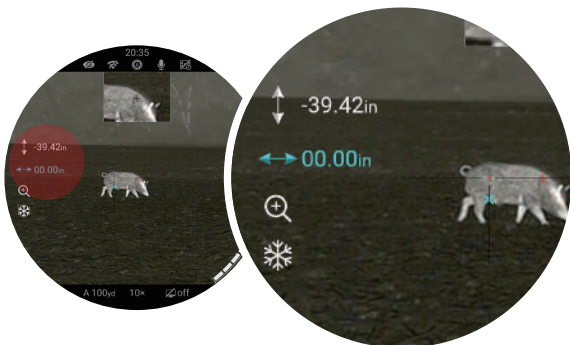


Si el punto de impacto (POI) no coincide con la retícula, seleccione el icono de congelación de imagen, presione brevemente el botón de menú para congelar la imagen.

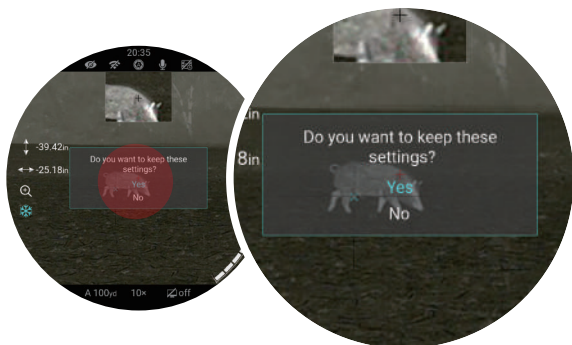


### Ajustar la posición X/Y de la retícula:

- Presione brevemente el botón de menú para seleccionar la dirección X o Y. El eje seleccionado cambiará de blanco a azul.
- Gire el controlador para mover la posición de la retícula.
- Un cursor rojo representa la posición original de la retícula.



d. Cuando la retícula coincide con el POI, mantenga presionado el botón de menú para guardar la posición de la retícula.



Dispare de nuevo para verificar si el POI coincide con la retícula o no. Si no, realice nuevamente el ajuste de cero.

## | Telémetro Láser

### ACE H50R/ACE S60R



SGL  0.3s



 1.0s **CONT**



# Cálculo Balístico

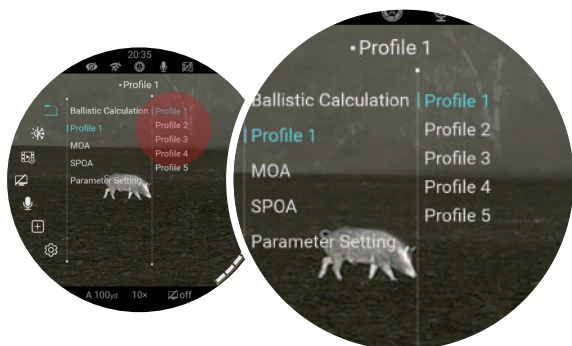
ACE H50R/ACE S60R

Configure el cálculo balístico en ON.

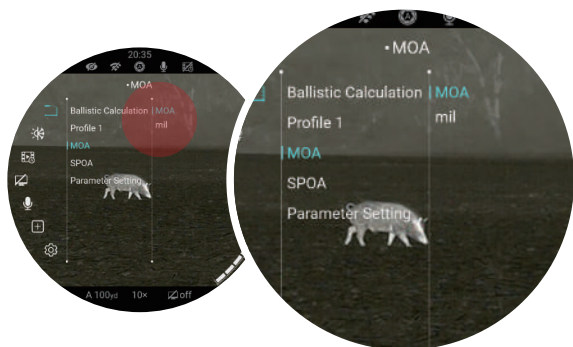


Seleccione el perfil de bala del 1 al 5.

**i** También puede personalizar el nombre de la bala a través de la aplicación NOCPIX.



Establezca la unidad en MOA o mil.

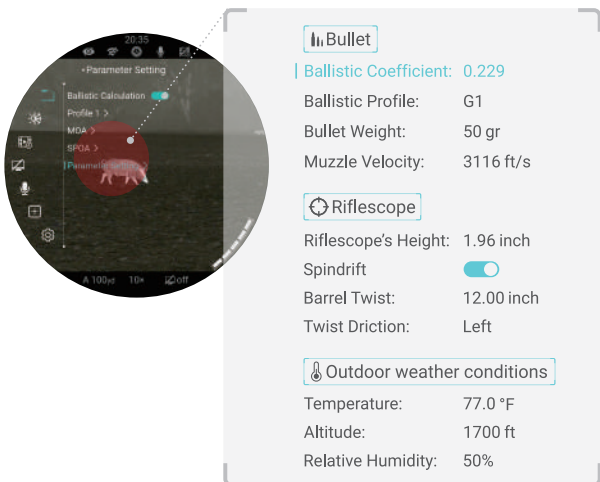


Configure el punto de mira sugerido en X , + , • o ... • • • .  
Cuando SPOA esté configurado para Mover la Retícula, el ACE moverá automáticamente la retícula original al SPOA.



## Configure los parámetros de balas, rifles y el entorno.

- i** Los ajustes de parámetros también se pueden realizar a través de la aplicación NOCPIX.



**Bullet**

- Ballistic Coefficient: 0.229
- Ballistic Profile: G1
- Bullet Weight: 50 gr
- Muzzle Velocity: 3116 ft/s

**Riflescope**

- Riflescope's Height: 1.96 inch
- Spindrift:
- Barrel Twist: 12.00 inch
- Twist Driction: Left

**Outdoor weather conditions**

- Temperature: 77.0 °F
- Altitude: 1700 ft
- Relative Humidity: 50%

Una vez completados los ajustes, un único rango indicará el POI recomendado.



SGL 892m

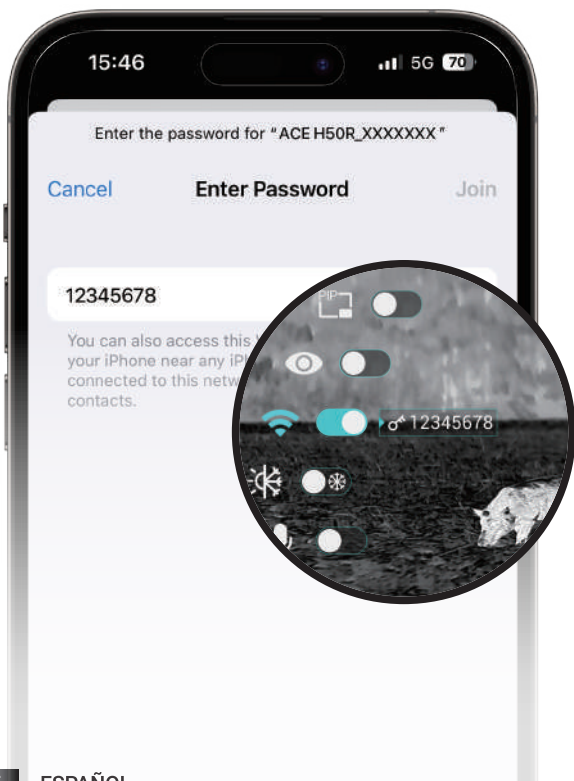
- MOA 0.00
- MOA -20.10

SGL 892m

- MOA 0.00
- MOA -20.10

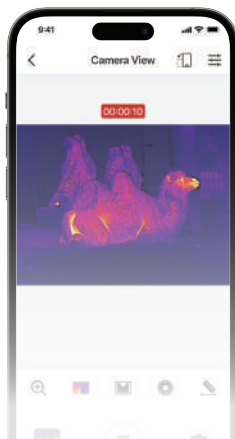
# | App

🔍 NOCPIX

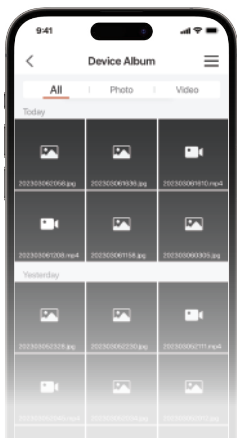




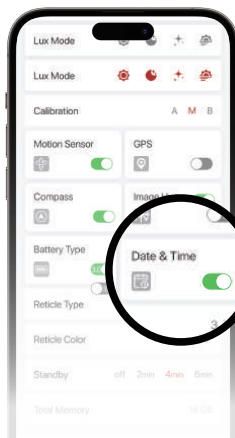
Actualización  
de firmware



Transmisión de imagen  
en tiempo real



Archivo del  
dispositivo



Calibración de  
fecha y hora

# Especificaciones

Modelo	ACE L35	ACE H50
Resolución, píxeles	384x288/12 $\mu$ m	640x512/12 $\mu$ m
NETD, mK	$\leq 18$	$\leq 15$
Velocidad de Fotogramas, Hz	60	
Lente de Objetivo, mm	35/F0.9	50/F0.9
Campo de Visión (H x V), °/m a 100 m	7.5x5.7/ 13.2x9.9	8.8x7.0/ 15.4x12.3
Ampliación, x	4~16	3~24
Zoom Ocular, x	1~3	
Alivio ocular, mm	50	
Dioptías, D	-5~+5	
Alcance de Detección, m (Tamaño objetivo: 1,7 m x 0,5 m, P(n) = 99 %)	1800	2600
Pantalla	AMOLED 2560x2560	
Batería	Batería integrada / 4000 mAh + batería 18650 intercambiable	
Tiempo Máx. de Funcionamiento (t = 22 °C) h	7	
Capacidad de Memoria, GB	64GB	
Clasificación IP	IP67	
Temperatura de Funcionamiento, °C	-20 ~ +50	
LRF, m	-	
Peso, g (con batería)	1050	1090
Dimensión, mm	350x90x62	365x90x68

<b>Modelo</b>	<b>ACE H50R</b>	<b>ACE S60R</b>
Resolución, píxeles	640x512/12µm	1280x1024/12µm
NETD, mK	≤15	≤15
Velocidad de Fotogramas, Hz	60	50
Lente de Objetivo, mm	50/F0.9	60/F1.0
Campo de Visión (H x V), °/m a 100 m	8.8x7.0/ 15.4x12.3	14.7x11.7/ 25.6x20.5
Ampliación, x	3~24	2~24
Zoom Ocular, x	1~3	
Alivio ocular, mm	50	
Dioptías, D	-5~+5	
Alcance de Detección, m (Tamaño objetivo: 1,7 m x 0,5 m, P(n) = 99 %)	2600	3100
Pantalla	AMOLED 2560x2560	
Batería	Batería integrada / 4000 mAh + batería 18650 intercambiable	
Tiempo Máx. de Funcionamiento (t = 22 °C) h	7	6
Capacidad de Memoria, GB	64GB	
Clasificación IP	IP67	
Temperatura de Funcionamiento, °C	-20 ~ +50	
LRF, m	1200 ±1	
Peso, g (con batería)	1120	1300
Dimensión, mm	365x90x68	390x90x71

## | Obtener Más Información



Sitio web:  
[www.nocpix.com](http://www.nocpix.com)



Manual de usuario



Facebook



Instagram



YouTube







**Inlumen Technologies Co., Ltd.**

**Email:** [service@nocpix.com](mailto:service@nocpix.com)      **Web:** [www.nocpix.com](http://www.nocpix.com)

**Add.:** North 6F, Building B3, Hefei Software Park, No.800 Wangjiang West Road, Hefei National High-tech Industry Development District, Anhui, China.